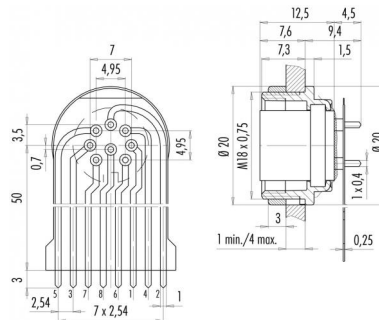


| | | | |
|--------------|--|---------------------|------------------------|
| Product Area | Flanschdose mit Flexplatte, von vorn verschraubbar, versilberte Kontakte, Polzahl: 8 M16 connectors IP 40 | Pole Article number | 8 DIN 09 0474 65 08 |
|--------------|--|---------------------|------------------------|

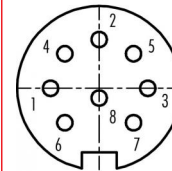
illustration



scale drawing



Contact Arrangement



| | X | Y |
|---|-------|-------|
| 1 | -3,50 | 0,00 |
| 2 | 0,00 | 3,50 |
| 3 | 3,50 | 0,00 |
| 4 | -2,47 | 2,47 |
| 5 | 2,47 | 2,47 |
| 6 | -2,47 | -2,47 |
| 7 | 2,47 | -2,47 |
| 8 | 0,00 | -0,70 |

You can find the assembly instruction on the next page.

Technical data

Common values

| | |
|-------------------|---------------|
| Connector Design | Female socket |
| Wire gauge (mm) | - |
| Wire gauge (AWG) | - |
| Upper temperature | +85 °C |
| Lower temperature | -40 °C |

Material

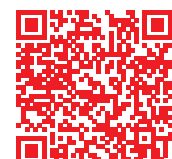
| | |
|--------------------------|--------------------------------|
| Material of contact | CuSn (bronze) |
| Contact plating | Ag (silver) |
| Material of contact body | PBT (UL 94 V-0) |
| Material of housing | zinc diecasting, nickel plated |

Electrical values

| | |
|-----------------------|--------------------|
| Rated voltage | 60 V |
| Rated impulse voltage | 500 V |
| Pollution degree | 1 |
| Overvoltage category | I |
| Material group | III |
| Rated current (40°C) | 5 A |
| Volume resistivity | ≤ 5 mΩ |
| Degree of protection | IP 40 |
| Mechanical operation | >500 mating cycles |

Cable data

Contacts 8 DIN, female socket with flexible PCB, front fastened, silver plated contacts, silver plated contacts



Product Flanschdose mit Flexplatte, von vorn verschraubbar, versilberte Kontakte, Polzahl: 8
Area M16 connectors IP 40 serie 581/ 680/ 682

Pole 8 DIN
Article number 09 0474 65 08

Date: 2014-07-20 - Page 2 of 2

Installation instructions / Mounting cutout

