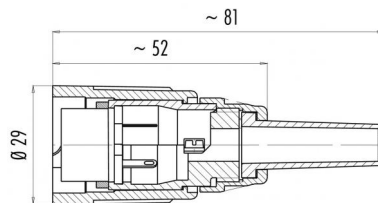


Product Area	Female cable connector Bayonet connectors	serie 690	Pole Article number	12 09 0468 00 12
--------------	--	-----------	---------------------	---------------------

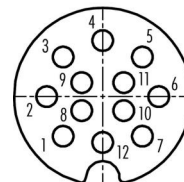
illustration



scale drawing



Contact Arrangement



	X	Y
1	-4,24	-4,24
2	-6,00	0,00
3	-4,24	4,24
4	0,00	6,00
5	4,24	4,24
6	6,00	0,00
7	4,24	-4,24
8	-2,25	-1,50
9	-2,25	1,50
10	2,25	-1,50
11	2,25	1,50
12	0,00	-4,90

You can find the item description on the next page.

Technical data

Common values

Connector Design	Female cable connector
Connector locking system	BayonetHocking
Termination	solder
Wire gauge (mm)	0,75 mm ²
Wire gauge (AWG)	20
Cable outlet	5 - 8 mm
Upper temperature	+85 °C
Lower temperature	-40 °C

Material

Material of contact	CuSn (bronze)
Contact plating	Ag (silver)
Material of contact body	PET (UL 94 V 0)
Material of housing	Gd-Al (eloxadized)

Cable data

Contacts 12, female cable connector

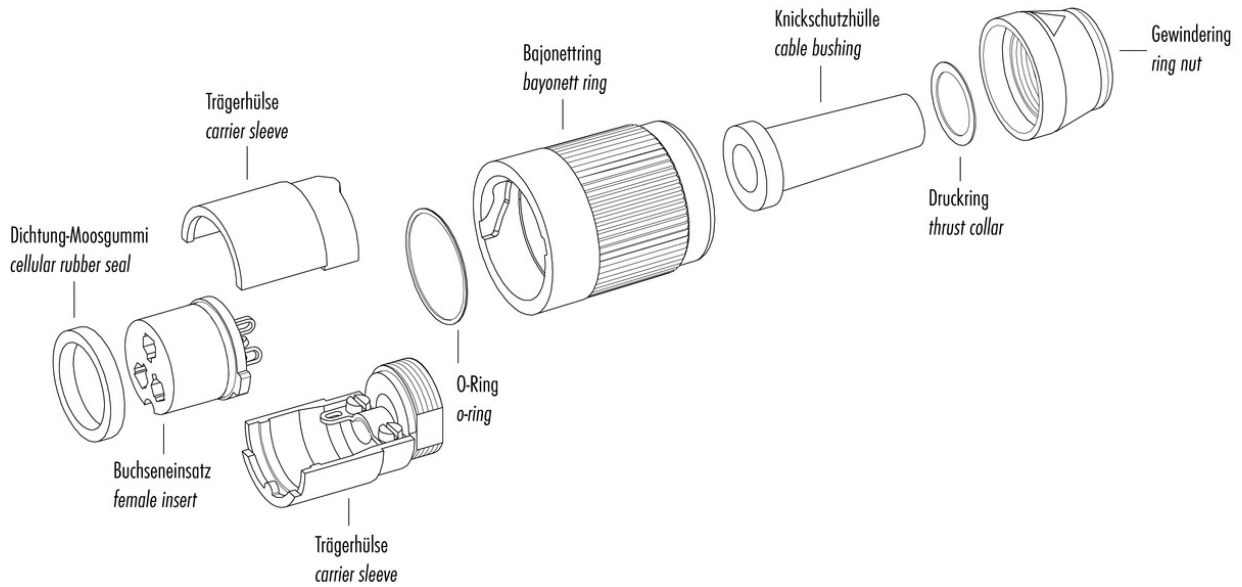
Electrical values

Rated voltage	125 V
Rated impulse voltage	1500 V
Pollution degree	I
Overvoltage category	II
Material group	III
Rated current (40°C)	5 A
Volume resistivity	≤ 5 mΩ
EMV compliance	not shielded
Degree of protection	IP 40
Mechanical operation	>500 mating cycles



Product Area	Female cable connector Bayonet connectors	serie 690	Pole Article number	12 09 0468 00 12
--------------	--	-----------	---------------------	---------------------

Item description



Date: 2014-07-20 - Page 2 of 2