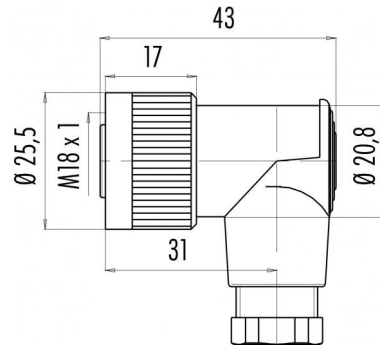


Product Area	Female angled connector M 18 connectors	serie 714	Pole	4
			Article number	09 0440 000 04

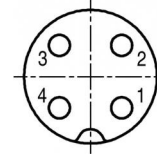
illustration



scale drawing



Contact Arrangement



	X	Y
1	3,18	-3,18
2	3,18	3,18
3	-3,18	3,18
4	-3,18	-3,18

You can find the item description and assembly instruction on the next page.

Technical data

Common values

Connector Design	Female angled cable connector
Connector locking system	Screw
Termination	screw
Wire gauge (mm)	1,50 mm <sup>2</sup>
Wire gauge (AWG)	16
Upper temperature	+85 °C
Lower temperature	-25 °C

Material

Material of contact	CuZn (brass)
Contact plating	CuSnZn (Optalloy)
Material of contact body	PA (UL 94 V-0), PBT (UL 94 V-0)
Material of housing	PA (UL 94 V-0), PBT (UL 94 V-0)

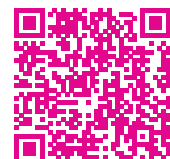
Cable data

material housing	-
insulation single lead	-
single lead structure	-
conductor resistance	-
bending radius cable fixed	-
bending radius cable movable	-

Electrical values

Rated voltage	250 V
Rated impulse voltage	4000 V
Pollution degree	3
Overvoltage category	III
Material group	III
Volume resistivity	≤ 8 mΩ
EMV compliance	-
Degree of protection	IP 67
Mechanical operation	> 50 mating cycles

Cabel outlet: 6,5 - 8 mm, contacts: 4, female angled connector with UL approval



Product  
Area

Female angled connector  
M 18 connectors

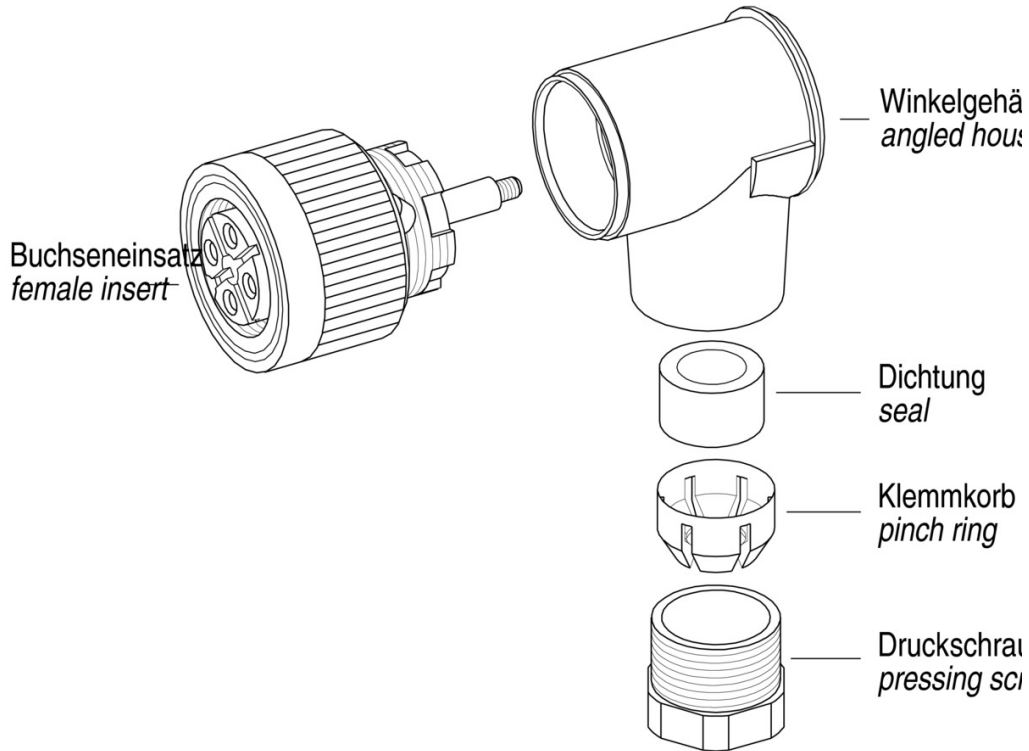
serie 714

Pole  
Article number

4  
09 0440 000 04

Date: 2014-07-20 - Page 2 of 2

Item description



Installation instructions / Mounting cutout

