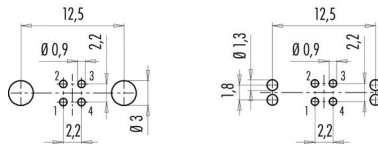


| | | | |
|--------------|---|----------------|---------------|
| Product Area | Female socket, dip solder, front fastened with shielding sheet 10 mm M9 connectors IP 67 | Pole | 4 |
| | serie 712/702 | Article number | 09 0412 35 04 |

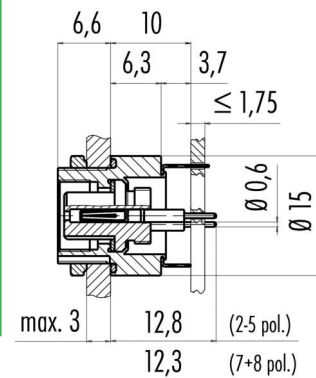
illustration



Conductor layout



scale drawing



You can find the assembly instruction on the next page.

Technical data

Common values

| | |
|--------------------------|---------------|
| Connector Design | Female socket |
| Connector locking system | Screw |
| Termination | dip solder |
| Wire gauge (mm) | - |
| Wire gauge (AWG) | - |
| Cable outlet | - |
| Upper temperature | +85 °C |
| Lower temperature | -40 °C |

Electrical values

| | |
|-----------------------|--------------------------|
| Rated voltage | 125 V |
| Rated impulse voltage | 1500 V |
| Pollution degree | I |
| Overvoltage category | II |
| Material group | III |
| Rated current (40°C) | 3 A |
| Volume resistivity | $\leq 3 \text{ m}\Omega$ |
| EMV compliance | shieldable |
| Degree of protection | IP 67 |
| Mechanical operation | >500 mating cycles |

Material

| | |
|--------------------------|----------------------------|
| Material of contact | CuSn (bronze) |
| Contact plating | Au (gold) |
| Material of contact body | PA (UL 94 V-0) |
| Material of housing | CUZn (brass nickel plated) |

Cable data

| | |
|------------------------|---|
| material housing | - |
| insulation single lead | - |
| single lead structure | - |
| conductor resistance | - |

Contacts 4, Female socket, dip solder, front fastened with shielding sheet 10 mm



Product Area Female socket, dip solder, front fastened with shielding sheet 10 mm
M9 connectors IP 67 serie 712/702

Pole 4
Article number 09 0412 35 04

Installation instructions / Mounting cutout

