

Product Area Male socket, solder, front fastened  
M9 connectors IP 67

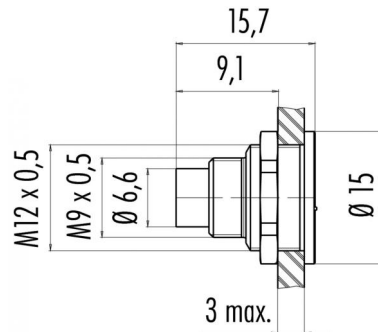
serie 712/702

Pole 2  
Article number 09 0403 80 02

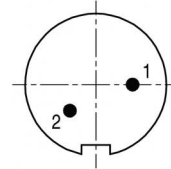
#### illustration



#### scale drawing



#### Contact Arrangement



	X	Y
1	1,55	0,00
2	-1,09	-1,09

You can find the assembly instruction on the next page.

#### Technical data

##### Common values

Connector Design	Male socket
Connector locking system	Screw
Termination	solder
Wire gauge (mm)	0,25 mm <sup>2</sup>
Wire gauge (AWG)	24
Cable outlet	-
Upper temperature	+85 °C
Lower temperature	-40 °C

##### Electrical values

Rated voltage	125 V
Rated impulse voltage	1500 V
Pollution degree	I
Overvoltage category	II
Material group	III
Rated current (40°C)	4 A
Volume resistivity	≤ 3 mΩ
EMV compliance	shieldable
Degree of protection	IP 67
Mechanical operation	>500 mating cycles

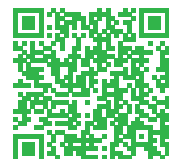
##### Material

Material of contact	CuZn (brass)
Contact plating	Au (gold)
Material of contact body	PA (UL 94 V-0)
Material of housing	CUZn (brass nickel plated)

##### Cable data

material housing	-
insulation single lead	-
single lead structure	-
conductor resistance	-

Contacts 2, Male socket, solder, front fastened



Product Male socket, solder, front fastened  
Area M9 connectors IP 67

serie 712/702

Pole 2  
Article number 09 0403 80 02

Date: 2014-07-20 - Page 2 of 2

Installation instructions / Mounting cutout

