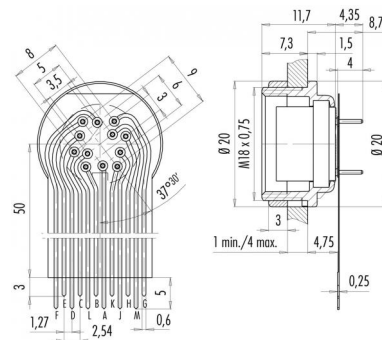


|              |  |                |               |
|--------------|--|----------------|---------------|
| Product Area | Flanschdose mit Flexplatte, von vorn verschraubbar, vergoldete Kontakte, einreihig<br>M16 connectors IP 40 | Pole           | 12            |
|              | serie 581/ 680/ 682  | Article number | 09 0332 65 12 |

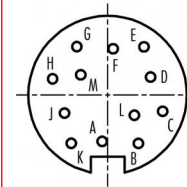
illustration



scale drawing



Contact Arrangement



|   | X     | Y     |
|---|-------|-------|
| A | -0,41 | -3,45 |
| B | 2,29  | -3,61 |
| C | 4,10  | -1,21 |
| D | 3,20  | 1,34  |
| E | 2,71  | 3,59  |
| F | 0,41  | 3,45  |
| G | -2,29 | 3,61  |
| H | -4,10 | 1,21  |
| J | -3,20 | -1,34 |
| K | -2,71 | -3,59 |
| L | -2,00 | -1,51 |
| M | -2,00 | 1,51  |

You can find the assembly instruction on the next page.

Technical data

Common values

|                          |               |
|--------------------------|---------------|
| Connector Design         | Female socket |
| Connector locking system | Screw         |
| Termination              | dip solder    |
| Wire gauge (mm)          | -             |
| Wire gauge (AWG)         | -             |
| Upper temperature        | +85 °C        |
| Lower temperature        | -40 °C        |

Material

|                          |                                |
|--------------------------|--------------------------------|
| Material of contact      | CuSn (bronze)                  |
| Contact plating          | Au (gold)                      |
| Material of contact body | PBT (UL 94 V-0)                |
| Material of housing      | zinc diecasting, nickel plated |

Cable data

Contacts 12, female socket with flexible PCB, front fastened, gold plated contacts

Electrical values

|                       |                    |
|-----------------------|--------------------|
| Rated voltage         | 60 V               |
| Rated impulse voltage | 500 V              |
| Pollution degree      | 1                  |
| Overvoltage category  | I                  |
| Material group        | III                |
| Rated current (40°C)  | 2 A                |
| Volume resistivity    | ≤ 3 mΩ             |
| EMV compliance        | shielded           |
| Degree of protection  | IP 40              |
| Mechanical operation  | >500 mating cycles |



Product Flanschdose mit Flexplatte, von vorn verschraubbar, vergoldete Kontakte, einreihig  
Area M16 connectors IP 40 serie 581/ 680/ 682

Pole 12  
Article number 09 0332 65 12

Date: 2014-07-20 - Page 2 of 2

Installation instructions / Mounting cutout

