

Product Female socket, dip solder, front fastened
Area M16 connectors IP 40

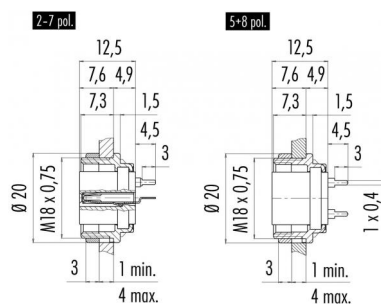
serie 581/ 680/ 682

Pole 6 DIN
Article number 09 0324 90 06

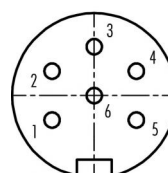
illustration



scale drawing



Contact Arrangement



	X	Y
1	-3,03	-1,75
2	-3,03	1,75
3	0,00	3,50
4	3,03	1,75
5	3,03	-1,75
6	0,00	0,00

You can find the assembly instruction on the next page.

Technical data

Common values

Connector Design	Female socket
Connector locking system	Screw
Termination	dip solder
Wire gauge (mm)	-
Wire gauge (AWG)	-
Upper temperature	+85 °C
Lower temperature	-40 °C

Material

Material of contact	CuSn (bronze)
Contact plating	Ag (silver)
Material of contact body	PBT (UL 94 V-0)
Material of housing	zinc diecasting, nickel plated

Cable data

Contacts 6 DIN, female socket, dip solder, front fastened, 2 - 8 Contacts, silver plated contacts

Electrical values

Rated voltage	250 V
Rated impulse voltage	1500 V
Pollution degree	1
Overvoltage category	I
Material group	III
Rated current (40°C)	5 A
Volume resistivity	≤ 5 mΩ
EMV compliance	shielded
Degree of protection	IP 40
Mechanical operation	>500 mating cycles



Product Female socket, dip solder, front fastened
Area M16 connectors IP 40

serie 581/ 680/ 682

Pole
Article number

6 DIN
09 0324 90 06

Installation instructions / Mounting cutout

