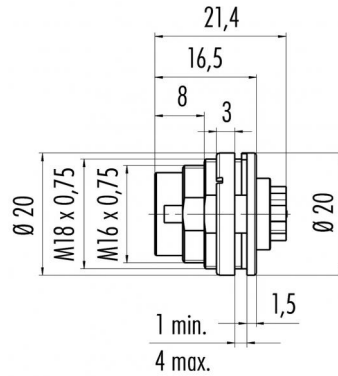


Product Area	Male panel mount connector, crimp, front fastened M16 connectors IP 40	serie 581/ 680/ 682	Pole Article number	6 DIN 09 0323 780 06
--------------	---	---------------------	---------------------	-------------------------

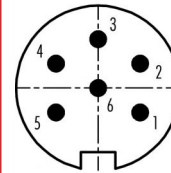
illustration



scale drawing



Contact Arrangement



	X	Y
1	3,03	-1,75
2	3,03	1,75
3	0,00	3,50
4	-3,03	1,75
5	-3,03	-1,75
6	0,00	0,00

You can find the assembly instruction on the next page.

Technical data

Common values

Connector Design	Male socket
Termination	crimp
Cable outlet	-
Upper temperature	+85 °C
Lower temperature	-40 °C

Material

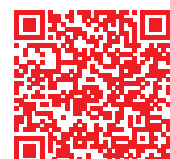
Material of contact	CuZn (brass)
Contact plating	Ag (silver)
Material of contact body	PBT (UL 94 V-0)
Material of housing	CUZn (brass nickel plated)

Electrical values

Rated voltage	250 V
Rated impulse voltage	1500 V
Pollution degree	1
Overvoltage category	I
Material group	III
Rated current (40°C)	5 A
Volume resistivity	≤ 5 mΩ
Degree of protection	IP 40
Mechanical operation	>500 mating cycles

Cable data

Polzahl: 6 DIN, Flanschstecker, crimpen, von vorn verschraubbar



Product Male panel mount connector, crimp, front fastened
Area M16 connectors IP 40 serie 581/ 680/ 682

Pole 6 DIN
Article number 09 0323 780 06

Date: 2014-07-20 - Page 2 of 2

Installation instructions / Mounting cutout

