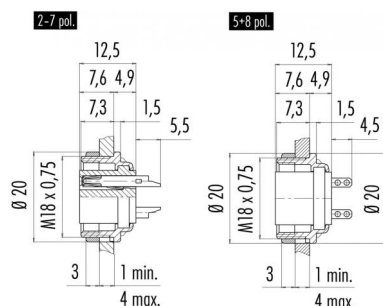


Product Area	Female socket, solder, front fastened M16 connectors IP 40	serie 581/ 680/ 682	Pole	2
			Article number	09 0304 80 02

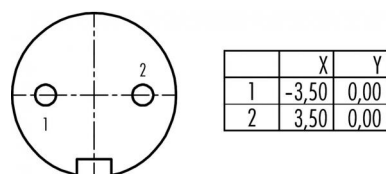
illustration



scale drawing



Contact Arrangement



You can find the assembly instruction on the next page.

Technical data

Common values

Connector Design	Female socket
Connector locking system	Screw
Termination	solder
Wire gauge (mm)	0,75 mm ²
Wire gauge (AWG)	20
Upper temperature	+85 °C
Lower temperature	-40 °C

Material

Material of contact	CuSn (bronze)
Contact plating	Ag (silver)
Material of contact body	PBT (UL 94 V-0)
Material of housing	zinc diecasting, nickel plated

Electrical values

Rated voltage	250 V
Rated impulse voltage	1500 V
Pollution degree	1
Overvoltage category	I
Material group	III
Rated current (40°C)	7 A
Volume resistivity	≤ 5 mΩ
EMV compliance	shielded
Degree of protection	IP 40
Mechanical operation	>500 mating cycles

Cable data

Contacts 2, female socket, solder, front fastened, 2 - 8 Contacts, silver plated contacts



Product Area Female socket, solder, front fastened
M16 connectors IP 40

serie 581/ 680/ 682

Pole 2
Article number 09 0304 80 02

Date: 2014-07-20 - Page 2 of 2

Installation instructions / Mounting cutout

