

Product "Male angled connector, cable outlet 6-8 mm, plastic version
Area M16 connectors IP 40 serie 682

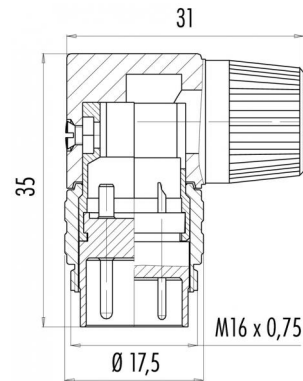
Pole 2
Article number 09 0133 72 02

illustration

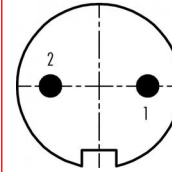


You can find the item description on the next page.

scale drawing



Contact Arrangement



	X	Y
1	3,50	0,00
2	-3,50	0,00

Technical data

Common values

Connector Design	Male angled cable connector
Connector locking system	Screw
Termination	solder
Wire gauge (mm)	0,75 mm ²
Wire gauge (AWG)	20
Cable outlet	6 - 7,8 mm
Upper temperature	+85 °C
Lower temperature	-40 °C

Material

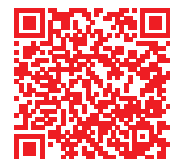
Material of contact	CuZn (brass)
Contact plating	Ag (silver)
Material of contact body	PBT (UL 94 V-0)
Material of housing	PA (UL 94 HB)

Cable data

Contacts 2, male angled connector, cable outlet 6 - 8 mm, plastic version, silver plated contacts

Electrical values

Rated voltage	250 V
Rated impulse voltage	1500 V
Pollution degree	I
Overvoltage category	I
Material group	III
Rated current (40°C)	7 A
Volume resistivity	≤ 5 mΩ
EMV compliance	not shielded
Degree of protection	IP 40
Mechanical operation	>500 mating cycles



Product "Male angled connector, cable outlet 6-8 mm, plastic version
Area M16 connectors IP 40 serie 682

Pole 2
Article number 09 0133 72 02

Date: 2014-07-20 - Page 2 of 2

Item description

