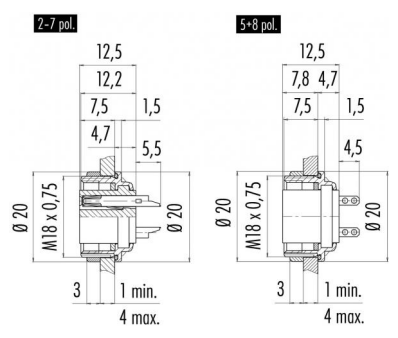


Product Area	Female socket, solder, front fastened M16 connectors IP 67	serie 423/ 723/ 425	Pole	5
			Article number	09 0116 80 05

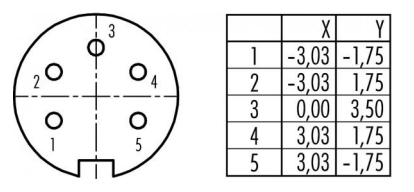
**illustration**



**scale drawing**



**Contact Arrangement**



You can find the assembly instruction on the next page.

**Technical data**

**Common values**

Connector Design	Female socket
Connector locking system	Screw
Termination	solder
Wire gauge (mm)	0,75 mm <sup>2</sup>
Wire gauge (AWG)	20
Upper temperature	+95 °C
Lower temperature	-40 °C

**Material**

Material of contact	CuSn (bronze)
Contact plating	Ag (silver)
Material of contact body	PBT (UL 94 V-0)
Material of housing	zinc diecasting, nickel plated

**Cable data**

Contacts 5, female socket, solder, front fastened, 2 - 8 Contacts, silver plated contacts

**Electrical values**

Rated voltage	250 V
Rated impulse voltage	1500 V
Pollution degree	1
Overvoltage category	I
Material group	III
Rated current (40°C)	6 A
Volume resistivity	≤ 5 mΩ
EMV compliance	shielded
Degree of protection	IP 67
Mechanical operation	>500 mating cycles



Product Female socket, solder, front fastened  
Area M16 connectors IP 67

serie 423/ 723/ 425

Pole 5  
Article number 09 0116 80 05

Date: 2014-07-20 - Page 2 of 2

Installation instructions / Mounting cutout

