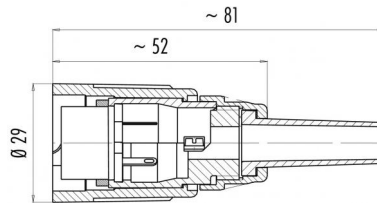


Product Area	Female cable connector Bayonet connectors	serie 690	Pole	5
			Article number	09 0060 00 05

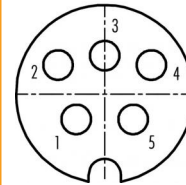
illustration



scale drawing



Contact Arrangement



	X	Y
1	-3,05	-2,70
2	-5,00	3,10
3	0,00	4,10
4	5,00	3,10
5	3,05	-2,70

You can find the item description on the next page.

Technical data

Common values

Connector Design	Female cable connector
Connector locking system	BayonetHocking
Termination	solder
Wire gauge (mm)	2,50 mm ²
Wire gauge (AWG)	14
Cable outlet	5 - 8 mm
Upper temperature	+85 °C
Lower temperature	-40 °C

Material

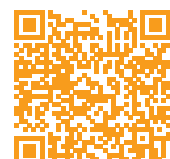
Material of contact	CuSn (bronze)
Contact plating	Ag (silver)
Material of contact body	PET (UL 94 V 0)
Material of housing	Gd-Al (eloxadized)

Cable data

Contacts 5, female cable connector

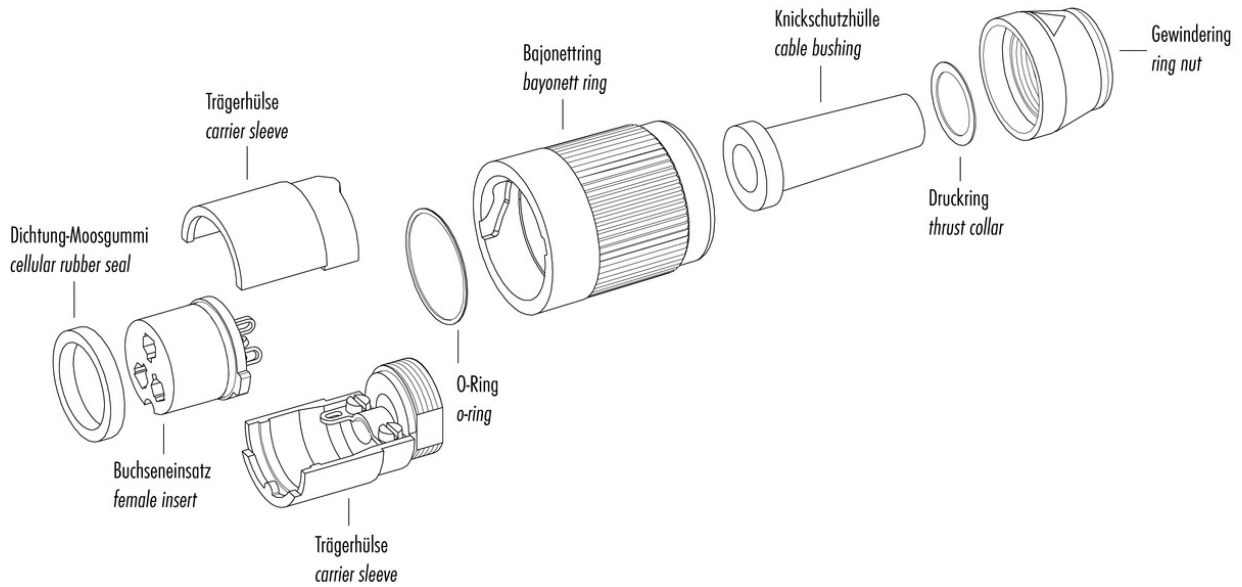
Electrical values

Rated voltage	250 V
Rated impulse voltage	2500 V
Pollution degree	I
Overvoltage category	II
Material group	III
Rated current (40°C)	10 A
Volume resistivity	≤ 5 mΩ
EMV compliance	not shielded
Degree of protection	IP 40
Mechanical operation	>500 mating cycles



Product Area	Female cable connector Bayonet connectors	serie 690	Pole Article number	5 09 0060 00 05
--------------	--	-----------	---------------------	--------------------

Item description



Date: 2014-07-20 - Page 2 of 2