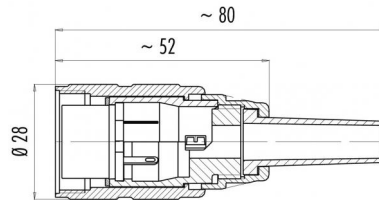


Product Area	Female cable connector M 25 connectors	serie 691	Pole	3
			Article number	09 0034 00 03

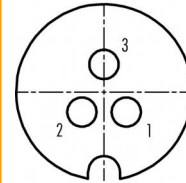
illustration



scale drawing



Contact Arrangement



	X	Y
1	2,39	-2,14
2	-2,39	-2,14
3	0,00	3,00

You can find the item description on the next page.

Technical data

Common values

Connector Design	Female cable connector
Connector locking system	Screw
Termination	solder
Wire gauge (mm)	1,50 mm <sup>2</sup>
Wire gauge (AWG)	16
Cable outlet	5 - 8 mm
Upper temperature	+85 °C
Lower temperature	-40 °C

Material

Material of contact	CuZn (brass)
Contact plating	Ag (silver)
Material of contact body	PBT (UL 94 V-0)
Material of housing	Gd-Al (eloxadized)

Cable data

Contacts 3, female cable connector

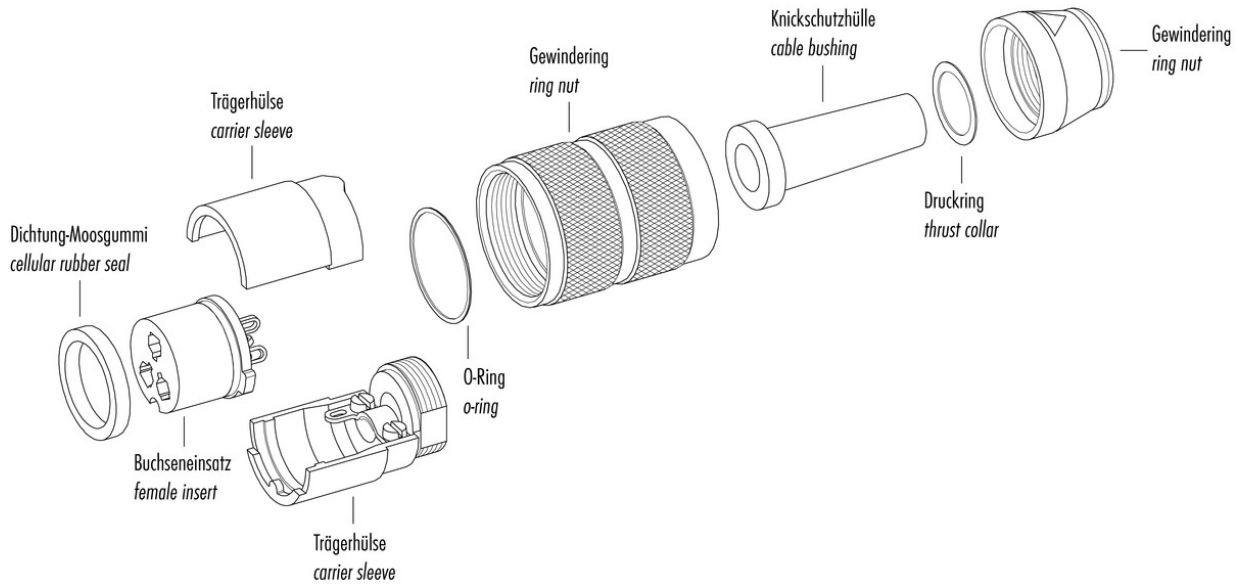
Electrical values

Rated voltage	250 V
Rated impulse voltage	2500 V
Pollution degree	I
Overvoltage category	II
Material group	III
Rated current (40°C)	10 A
Volume resistivity	≤ 5 mΩ
EMV compliance	not shielded
Degree of protection	IP 40
Mechanical operation	>500 mating cycles



Product Area	Female cable connector M 25 connectors	serie 691	Pole Article number	3 09 0034 00 03
--------------	---	-----------	---------------------	--------------------

Item description



Date: 2014-07-20 - Page 2 of 2