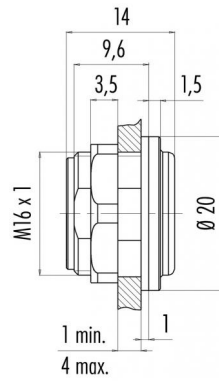


Product Area	Adapter for socket (fastening from front side) Snap-in connectors IP 67	serie 620	Pole	-	Article number	08 2629 000 001
--------------	--	-----------	------	---	----------------	-----------------

illustration



scale drawing



You can find the item description and assembly instruction on the next page.

Technical data

Common values

Connector Design	Adapter
Termination	-
Wire gauge (mm)	-
Cable outlet	-

Material

Material of contact	-
Contact plating	-
Material of contact body	-
Material of housing	PA (UL 94 V-0)

Electrical values

Pollution degree	-
Overvoltage category	-
Material group	-
Rated current (40°C)	-
Volume resistivity	-
EMV compliance	-

Cable data

material housing	-
insulation single lead	-
single lead structure	-
conductor resistance	-

Adapter for sockets (front fastened)

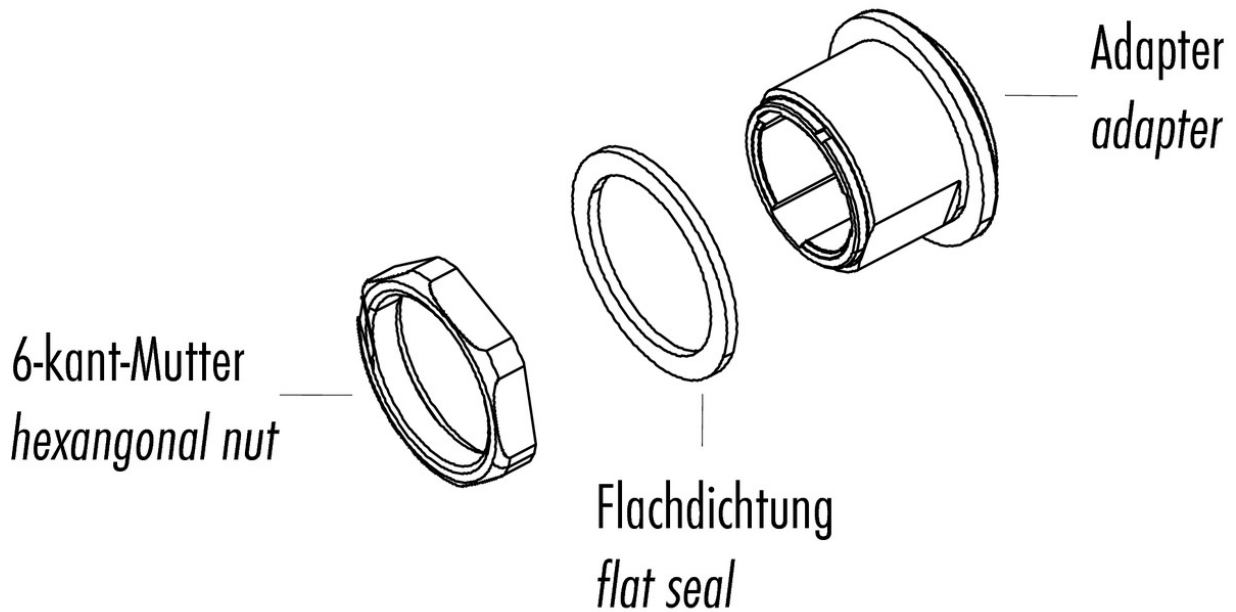


Product Area Adapter for socket (fastening from front side)
Snap-in connectors IP 67 serie 620

Pole Article number 08 2629 000 001

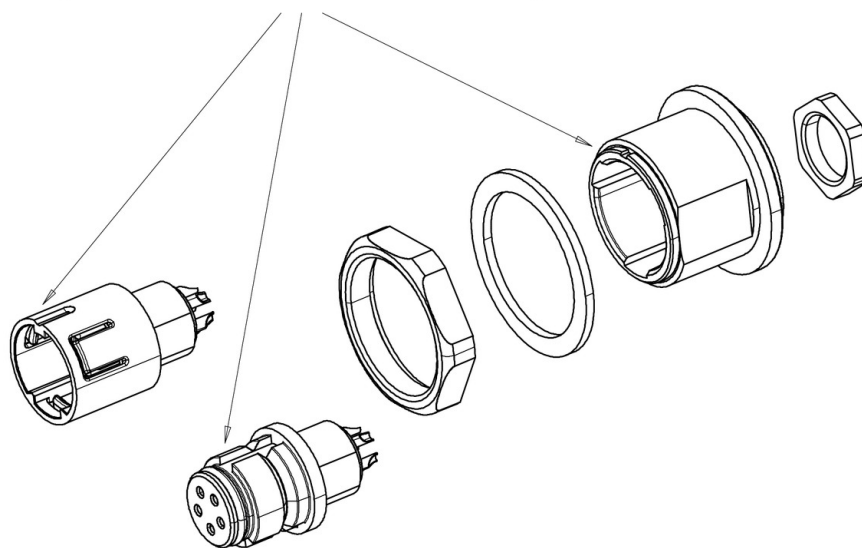
Date: 2014-07-20 - Page 2 of 3

Item description



Installation instructions / Mounting cutout

Die Markierung des Adapters muss mit der Kodiernase des Einsatzes übereinstimmen
The marking of the adapter must conform with the coding nut of the insert



Einsätze müssen separat bestellt werden
Inserts have to be ordered separately

Product Adapter for socket (fastening from front side)
Area Snap-in connectors IP 67 serie 620

Pole -
Article number 08 2629 000 001

Date: 2014-07-20 - Page 3 of 3

Installation instructions / Mounting cutout

