

Product Area Adapter for sockets, front fastened
Snap-in connectors IP 67

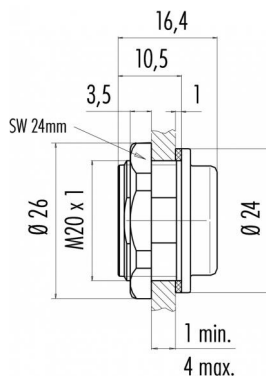
serie 720

Pole -
Article number 08 2434 000 001

illustration



scale drawing



You can find the item description and assembly instruction on the next page.

Date: 2014-07-20 Page 1 of 3

Technical data

Common values

Connector Design	Adapter
Termination	-
Wire gauge (mm)	-
Wire gauge (AWG)	-
Cable outlet	-
Upper temperature	+85 °C
Lower temperature	-40 °C

Material

Material of contact	-
Contact plating	-
Material of contact body	-
Material of housing	-

Cable data

Electrical values

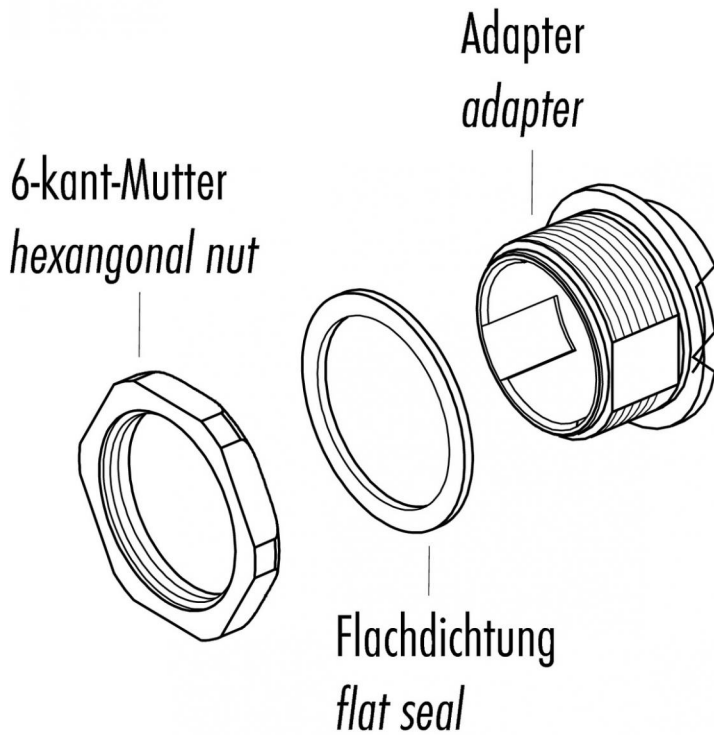
Rated current (40°C)	-
Volume resistivity	-
EMV compliance	-
Degree of protection	IP 67

Adapter for sockets, front fastened



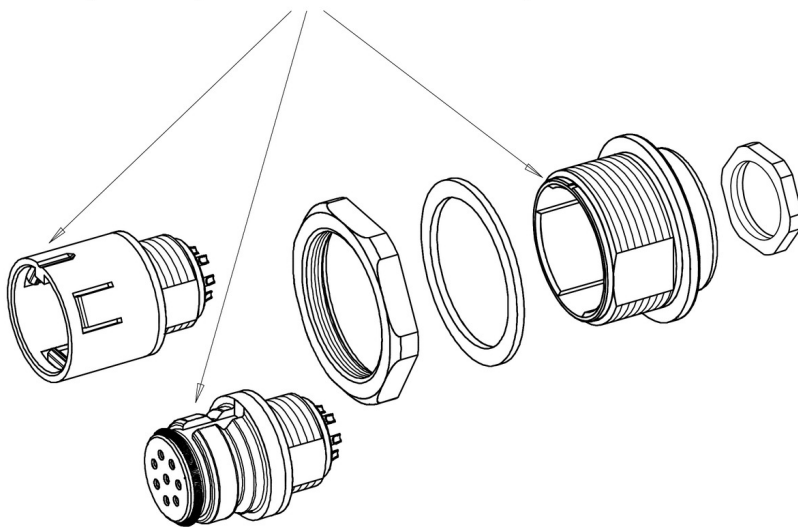
Product Area	Adapter for sockets, front fastened Snap-in connectors IP 67	serie 720	Pole Article number	- 08 2434 000 001
--------------	---	-----------	---------------------	----------------------

Item description



Installation instructions / Mounting cutout

Die Markierung des Adapters muss mit der Kodiernase des Einsatzes übereinstimmen
The marking of the adapter must conform with the coding nut of the insert



Einsätze müssen separat bestellt werden
Inserts have to be ordered separately

Product Area Adapter for sockets, front fastened
Snap-in connectors IP 67

serie 720

Pole -
Article number 08 2434 000 001

Date: 2014-07-20 - Page 3 of 3

Installation instructions / Mounting cutout

