

General Description

Delta TW34 series connectors are economical, medium-size twinaxial connectors with 3/4"-20 threaded coupling. Their characteristic 95Ω impedance makes them ideal for use with RG-22/U and similar Belden, IBM, and other twinaxial cable commonly used in LAN installations.

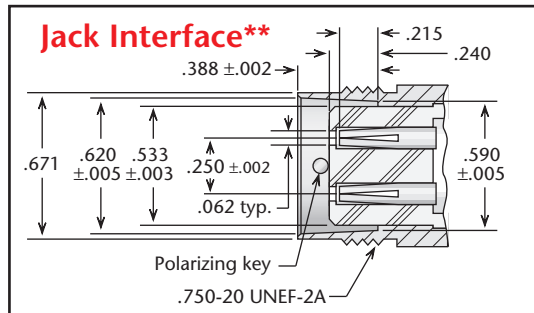
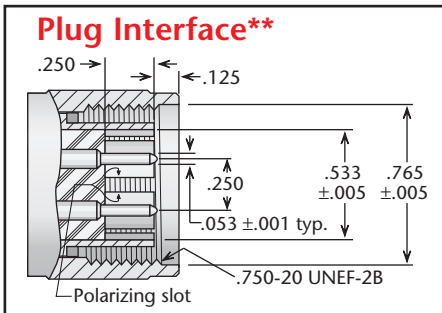
Plugs in TW34 series contain two male contacts, and jacks contain two female contacts, with mating polarization provided by a key in the jack which engages a keyway in the plug. The insulators of both plugs and jacks are marked to indicate location of the bare-copper wire of the cable conductor pair.

Delta TW34 connectors are designed and manufactured to meet the requirements of MIL-C-3655.

TW34 Configurations

Cable Plugs.....	158	Panel Jack Receptacles (square flange)	160
Cable Jacks	159	In-Series Adapters	160
Bulkhead Jack Receptacles	159		

TW34 Specifications*



*These specifications are typical and may not apply to all connectors. Detailed specifications for individual connectors are available on request.
 **Some proportions altered to illustrate detail.
 All other specifications are in accordance with the latest issues of MIL-PRF-39012, MIL-C-3655, or other applicable MIL specifications.

Electrical:

Nominal Impedance: 95 ohms.
Frequency Range: DC–200 MHz (Optimal), DC–500 MHz (Useable).
Voltage Rating: 500 volts RMS.
Dielectric Withstanding Voltage: 1,500 volts RMS.
Insulation Resistance: 5,000 megohms.

Materials/Finishes:

Insulators: Teflon per ASTM D1710.
Male Contacts: Brass per ASTM B16.
Female Contacts: Beryllium Copper per ASTM B196.
Contact Plating: Silver per QQ-S-365, or Gold per MIL-G-45204.
Gaskets: Silicone rubber per ZZ-R-765, Class II, Grade 50.
Other Metal Parts: Brass per ASTM B16, plated: Silver per QQ-S-365, or Nickel per QQ-N-290.

Straight and Right Angle Plugs—Clamp Type for Flexible Cable

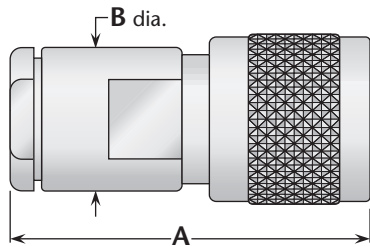


Figure 1

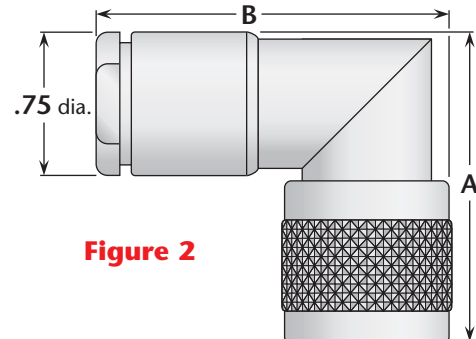


Figure 2

Cable Group	Figure	Dimensions		Plating		Delta P/N	Assembly Procedure/Trim Code
		A	B	Body	Contact		
27	1	1.88	.75	Nickel	Silver	2601-099-N000	***
28	1	1.88	.75	Nickel	Silver	UG-421B/U	***
28	2	1.56	1.88	Nickel	Silver	2604-070-N000	***
29	1	1.88	.75	Nickel	Silver	2601-201-N000	***
29	2	1.56	1.88	Nickel	Silver	2604-201-N000	***