

Delta Edge Mount Receptacles

These connectors eliminate the need for drilling P.C. boards for mounting. Edge mounting provides design versatility, particularly in daughterboard configurations.

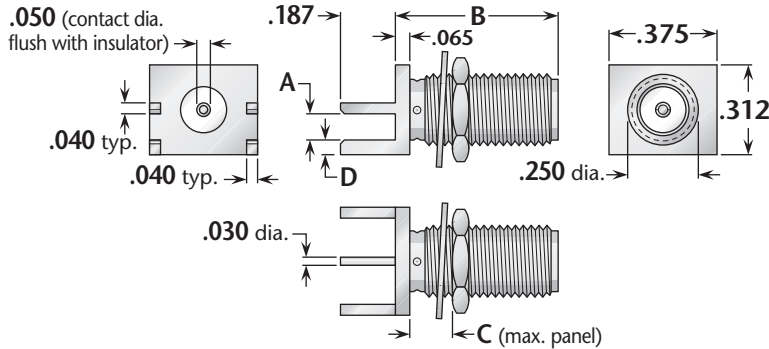
In addition, styles with bulkhead mounting allow P.C. boards to be attached directly to component housings or panels, eliminating the expense of adapters, cable assemblies, and/or additional board mounting hardware. Bulkhead mounted types are available with mounting gaskets as an option (see picture).

Delta SMA edge mount receptacles feature gold-plated brass bodies for low cost, with gold-plated beryllium copper center contacts. Insulators and contacts are mechanically captivated to meet MIL-PRF-39012 requirements. All are available with stainless-steel bodies.



Bulkhead jack with mounting gasket

Edge Mount P.C. Board Receptacles—Bulkhead Jack



Board Thickness	Dimensions				Plating		Delta P/N
	A	B	C	D	Body	Contact	
.042	.048	.500	.125	.093	Gold	Gold (C)	1367-000-G91P-21
.047	.053	.500	.125	.088	Gold	Gold (C)	1367-000-G91P-22
.062	.068	.500	.125	.073	Gold	Gold (C)	1367-000-G91P-6
.062	.068	.820	.425	.073	Gold	Gold (C)	1367-000-G91P-23

Edge Mount P.C. Board Receptacles—Straight Jacks

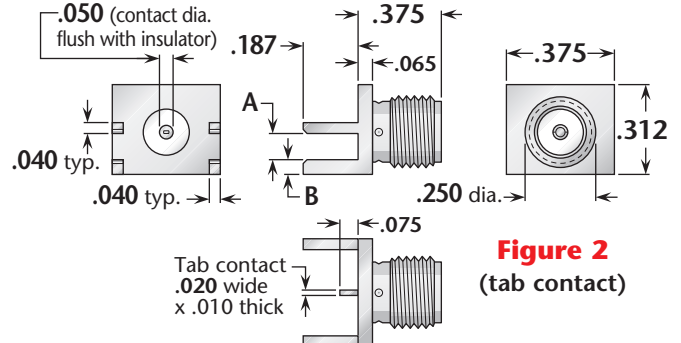
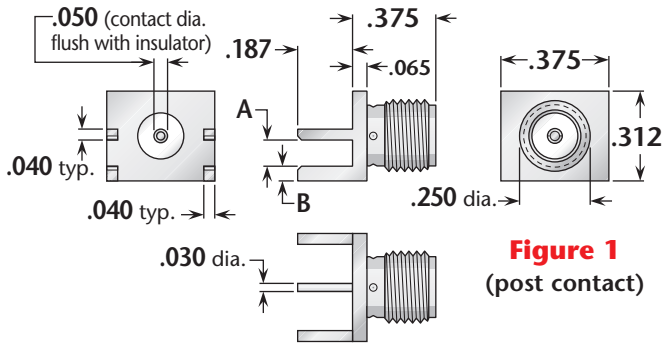


Figure	Board Thickness	Dimensions		Plating		Delta P/N
		A	B	Body	Contact	
1	.042	.048	.093	Gold	Gold (C)	1367-000-G91P-26
1	.047	.053	.088	Gold	Gold (C)	1367-000-G91P-27
1	.062	.068	.073	Gold	Gold (C)	1367-000-G91P
2	.042	.048	.103	Gold	Gold (C)	1367-000-G91P-24
2	.047	.053	.098	Gold	Gold (C)	1367-000-G91P-25
2	.062	.068	.083	Gold	Gold (C)	1367-000-G91P-20

(C) in contact plating column indicates captive contact (mechanical captivation). • See page 114 for plug types.